

High Cycle Actuation CSA CERTIFIED



Available in Manual Override

Reversing Motors

Elite Valve Canada electric motors have been design specifically for valve and damper automation. Motors selected must be instantly reversible with equal torque in both CW and CCW directions. All motors must meet our inflexible specifications before being design into our electric actuators.

Easy Adjustment

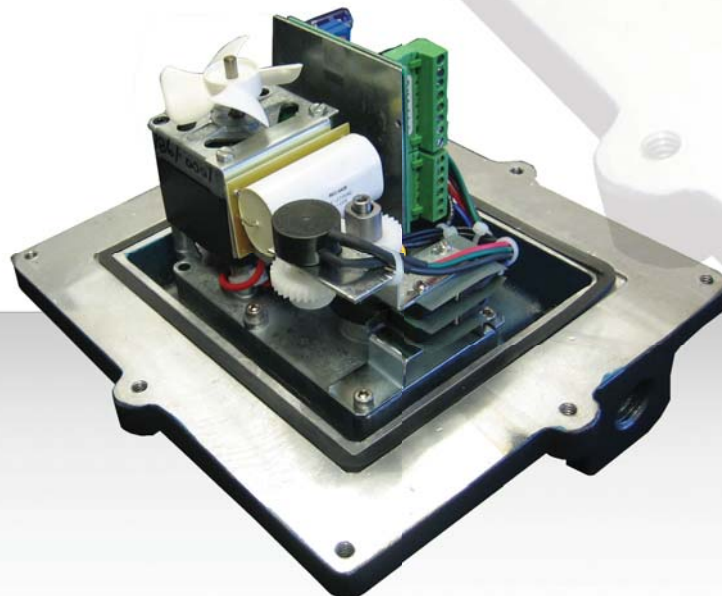
Color-coded cam-adjusted limit switches assure fast and easy field fine-tuning of the actuator end positions.

Permanent Lubrication

The lubricant selected for Elite Valve Canada's actuators is suitable for countless applications through a wide range of temperatures. Elite Valve actuators are permanently lubricated requiring little or no maintenance over years of service.

Features

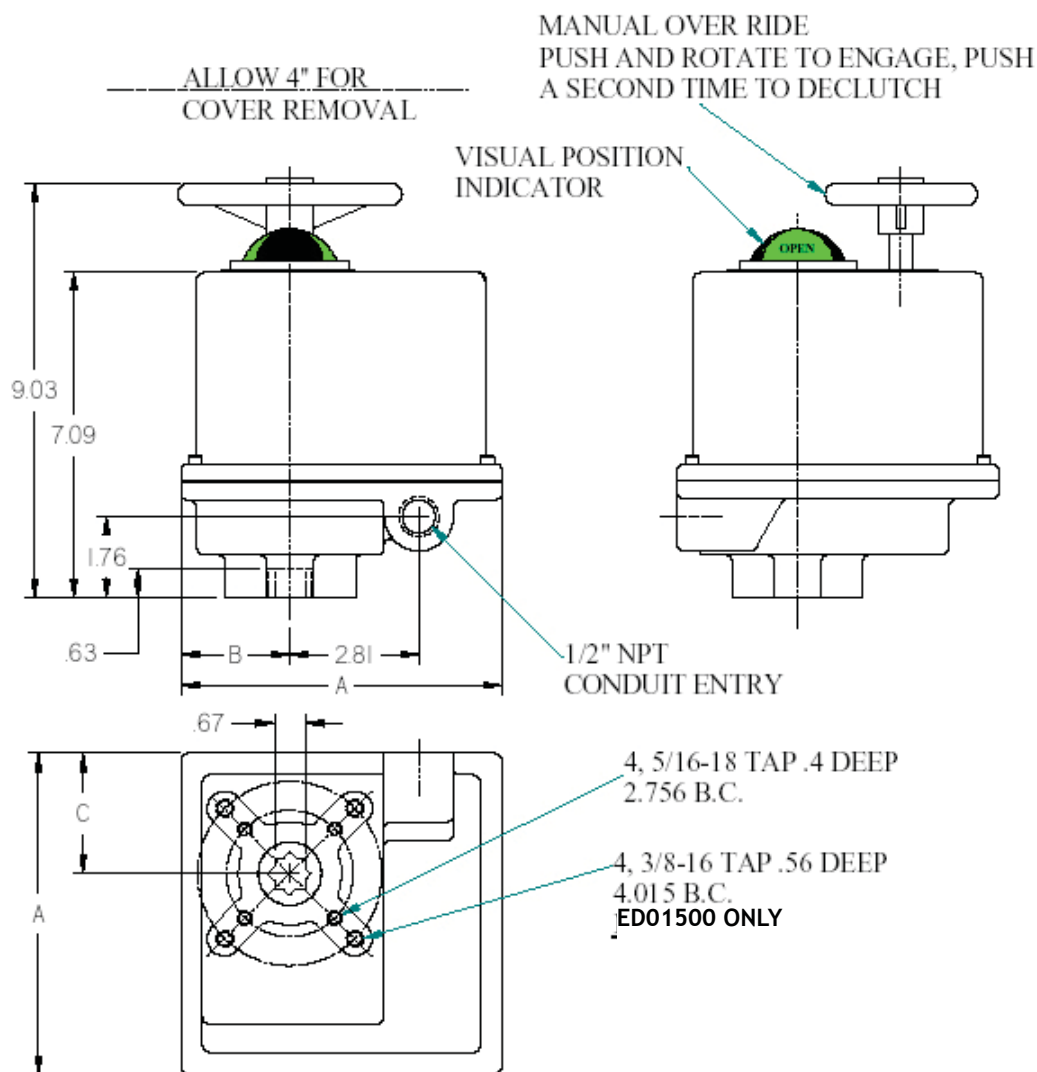
Designed for High Performance Long Life



SPECIFICATIONS:

Torque	400 Lb-In model EA00400 675 Lb-In model EA00675 1000 Lb-In model EA01000 1500 Lb-In model EA01500	L. R. Current	115Vac EA00400 & EA00675 = 0.75 115Vac EA01000 & EA01500 = 0.99 230Vac EA00400, EA00675, EA01000 & EDO1500=0.38 amps 12Vdc 4.2 amps, 24Vdc 2.6 amps
Cycle time	EA00400 10 seconds/90° 115, 230Vac & 12Vdc EA00400 20 seconds/90° 75% duty, 24Vdc & 24Vac EA00675 & EA01000 15 seconds/90° 115, 230Vac & 12Vdc EA00675 & EA01000 30 seconds/90° 75% duty, 24Vdc & 24Vac EA01500 30 seconds/90° 115, 230Vac & 12Vdc EA01500 70 seconds/90° 75% duty, 24Vdc & 24Vac	Motor	Permanent split capacitor 115Vac/1ph/50-60Hz standard With thermal over load protection 25% standard 115Vac & 230Vac 75% optional 75% 12Vdc, 24Vdc & 24Vac
		Duty Cycle	

Enclosure Coating	NEMA 4 standard Thermally bonded polyester powder
Fasteners	300 series stainless steel
Output	ISO 5211 F07 300 series stainless steel
Mounting Pad	ISO 5211 F07
Over Ride	Manual, declutching
Brake	Friction, standard
Position Ind.	Visual indicator Wired for light indication
Weight	13 Lbs.
Lubrication	Permanent
Installation	Universal
Temp. Range	-40°F. to 150°F. Heater & thermostat required 0°F. & below
Switches	SPDT snap action 16 amp ½ HP 125, 250Vac, 0.5amp 125Vdc



MODEL	DIMENSIONS		
	A	B	C
EA00400, EA00675, EA01000	7.0	2.38	2.63
EA01500	8.5	3.13	3.38

Elite Valve Canada
775 Roper Street
Sarnia, Ontario, Canada
N7S 5G7
www.elitevalve.com