

**Yellow Series**  
General Purpose  
Nylon Body

Pass .71 Inch Solids

Patented Lubrication  
& Stall Free Air Motor

Patented Long Life  
Diaphragm Design

Self-Cleaning Ball  
Valve Enclosure



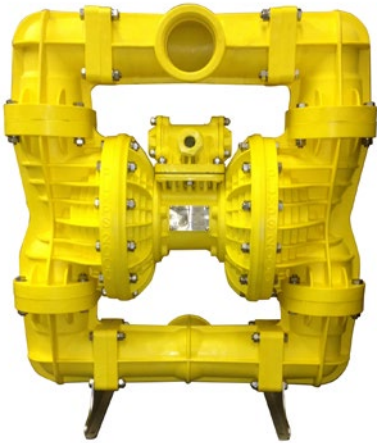
**Red Series**  
FRASplas Body-  
Fire Retardant  
Antistatic  
Construction -  
Safe for Explosive  
Environments ATEX  
M1 Rating



**Ebony Series**  
Noryl Body-  
Corrosive  
Resistant  
Internals- For  
Acids And Other  
Hazardous  
Liquids.

### Features / Benefits

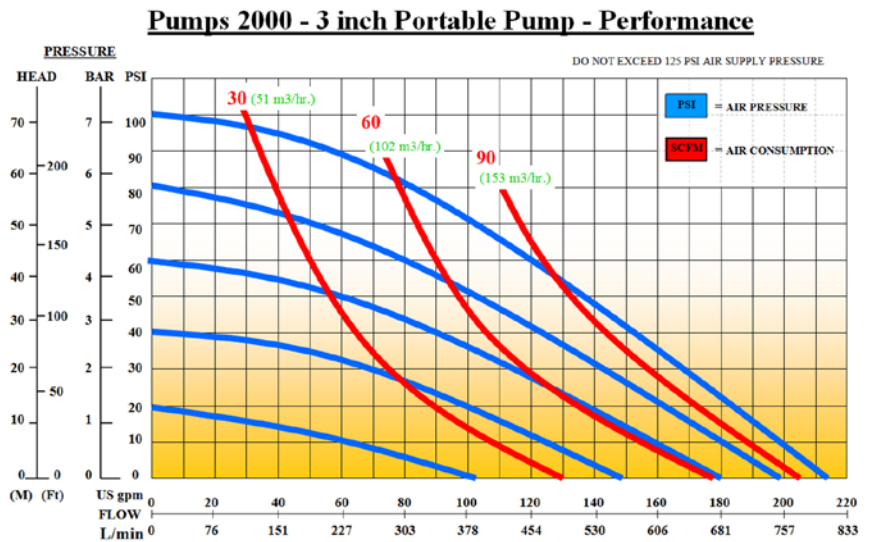
- Patented long life diaphragm & self-cleaning valve
- Low air consumption
- True lube-free & stall-free air motor: less sensitive to abrasive particles in the air supply and no oil emissions in the exhaust air
- Low weight due to light weight plastic & aeronautical design approach. No need for metal pumps
- Anti-icing: not affected by moisture in air line
- Large solids handling (over .71" on 3" pump)
- High suction lift (rated to 19' dry and 31' wet)
- Longer lasting air motor due to unique design and modular components that eliminate the need to replace the entire motor when worn.
- Conductive plastic (FRASplas) pumps are safe for explosive environments. Rated and certified to ATEX M1
- Low noise level



## Ball Valve

"Pumps 2000" air operated dual diaphragm pumps were specifically designed for harsh mining duties and are guaranteed to outperform and outlast the competition due to a number of patented design features. The light weight feature provides ease of mobility and reduces the risk of injury. Low air consumption and long lasting lubrication free parts means low cost running and reduced maintenance. Suitable for pumping applications in all industries.

## Performance Curve



AIR PRESSURE: Tested at 100 psi (Not to exceed 125 psi)

FLOW RATE: 215 gpm

FLUID CONNECTION: 3 inch (Internal Thread)

AIR INLET PORT: 1/2 inch (Internal Thread)

EXHAUST PORT: 3/4 inch (Internal Thread)

DELIVERY PRESSURE: Tested to 87 psi

SUCTION PRESSURE: Tested to 19 ft dry and 31 ft wet

PARTICLE SIZE: Maximum .71 inch

PUMP WEIGHT: 62 pounds

Available from:

